

### 3.0 MINI IMPLANT

## Small Investment, Huge Performance 3.0 I-MINI™ Implants

- Designed for Direct Implant Placement Capabilities
- Long-Term, Indicated for Permanent Use
- Can Be Used in Thin Ridge Applications
- Enhanced Surface Treatment
- Aggressive Stabilizing Thread Pattern
- Passivated and Sold Sterile
- Auger-like/Bull Nose Tip

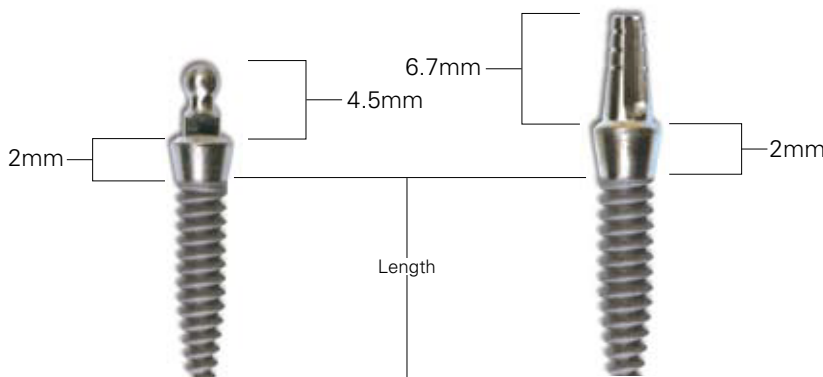
IOT/O-BALL  
ATTACHMENT HEAD



CROWN & BRIDGE HEAD



### 3.0 MINI IMPLANT



IOT/O-Ball and CB available in  
a wide range of lengths:

8mm, 10mm, 12mm, 14mm, 16mm

# [I-MINI™]

IMMEDIATE MINI IMPLANT

## 3.0 MINI IMPLANT

### INSTRUMENTATION



Catalog# #8 HS • Marking Bur #8 - High Speed



Catalog# 0180 • 1.8 mm Pilot Drill



Catalog# DSO180-10,12,14 • Drill Stops for Pilot Drill



Catalog# ISIP 3.25 • 3.0/3.25mm Paralleling Pin



Catalog# 0062 • 3.25mm Tissue Punch



Catalog# 3.25 CS • 3.25mm Countersink Drill



Catalog# 0240T • 2.4mm Drill



Catalog# 0010 • Drill Extender



Catalog# 0097 • Handpiece Driver/Adapter



Catalog# 0083N • 3.0 & 3.25mm C&B Driver



Catalog# 0083NS • 3.0 & 3.25mm C&B Driver (Short)



Catalog# 0076 • 3.0 & 3.25mm IOT/O-Ball Driver



Catalog# 0076S • 3.0 & 3.25mm IOT/O-Ball Driver (Short)



Catalog# 0091 • Driver Extension



Catalog# TK • Thumb Knob Wrench



Catalog# RW • Ratchet Wrench



Catalog# 6101 • Torque Lock Wrench



Catalog# I-MINI Surgical Kit • I-MINI™ Surgical Instrumentation System

The Kit includes all the instrumentation you need to place our unique one-piece mini implant.

### RESTORATIVE



Margin Analog Tool  
Catalog# MAT 3.25



C&B Analog  
Catalog# ISH-MINIA CB



Acrylic Coping  
Catalog# ISH-MINI AC



C&B TRIP (Tissue Retraction Impression Pickup)  
Catalog# ISH-MINIC

Margin Analog  
Catalog# 3.25 MA

### I-MINI/O-BALL ATTACHMENT HEAD [IOT KIT]



ISH-MINI-TSI IOT Kit includes:

- Encapsulator (003 Cap)
- IOT Analog
- Red Processing O-Ring less retentive (003 Red)
- Black Final O-Ring (003 Blk)